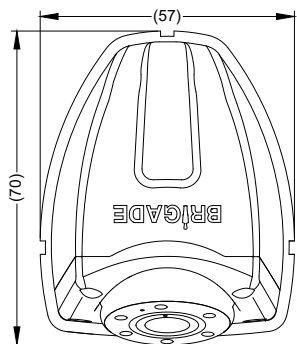
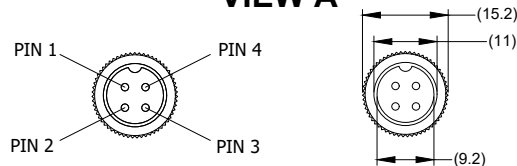


ITEM	PART NO.	MODEL NO.	QTY	MODEL / DESCRIPTION
①	(VARIOUS)	VBV-31XXC-C	1	VBV-31XXC CAMERA ONLY (REFER TO COMPONENT DRAWING)
②	(5190)	VBV-3XXC-RH	1	VBV-3XXC-RH REAR HOUSING
③	(5189)	VBV-3XXC-FH	1	VBV-3XXC-FH FRONT HOUSING
④	(4595)	VBV-3XXC-RM	1	VBV-3XXC-RM RUBBER MAT
⑥	(5244)	VBV-3XXC-FIX	1	VBV-3XXC-FIX FIXING PACK (NOT SHOWN)
⑦	(7176)	VBV-31XXC-IG	1	VBV-31XXC-IG INSTALLATION GUIDE (NOT SHOWN)

PART NO.	MODEL NO.	BRIEF DESCRIPTION
7143	VBV-3100C	MIRROR IMAGE - AHD 1080P 25FPS CAMERA
7144	VBV-3101C	MIRROR IMAGE - AHD 1080P 30FPS CAMERA
7145	VBV-3120C	NORMAL IMAGE - AHD 1080P 25FPS CAMERA
7146	VBV-3121C	NORMAL IMAGE - AHD 1080P 30FPS CAMERA

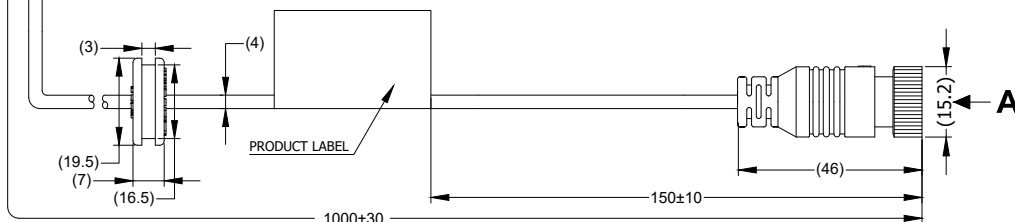
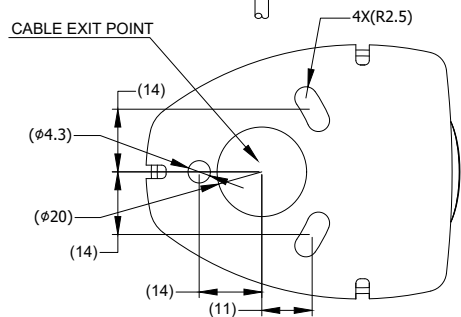
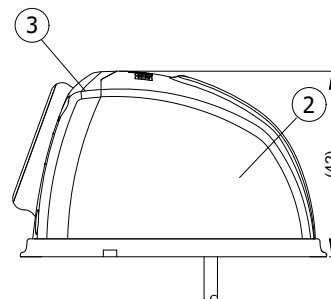
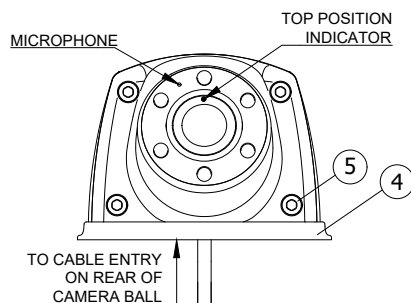
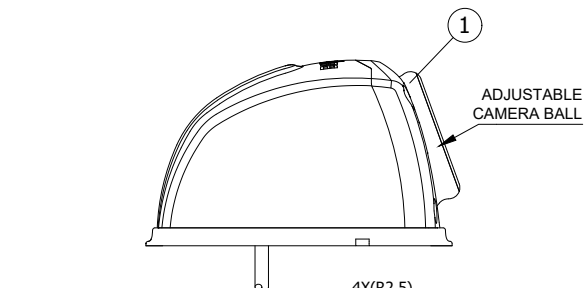
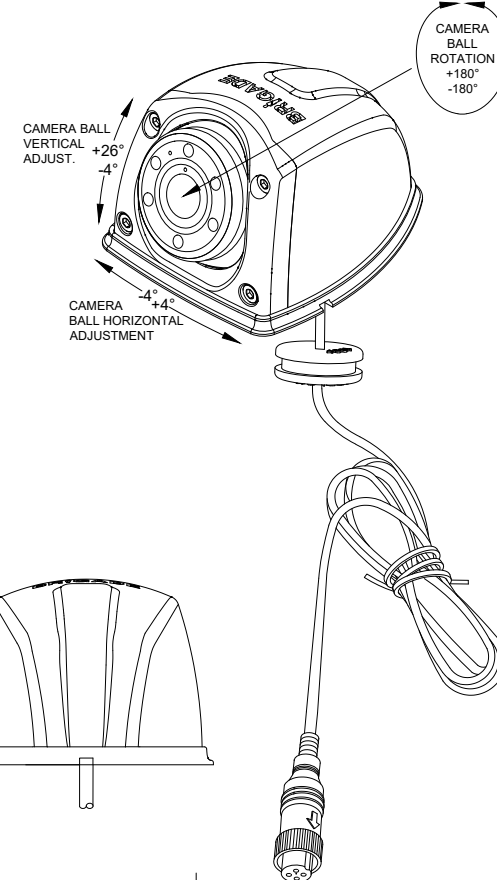


VIEW A



4 PIN FEMALE MATING FACE

PIN #	WIRE COLOUR	DESCRIPTION
1	RED	+12V
2	BLACK/SHIELD	GND
3	WHITE	AUDIO
4	YELLOW	VIDEO (AHD)



- NOTES:
- REFER TO PRODUCT SPECIFICATION FOR PRODUCT DETAILS.
 - REFER TO COMPONENT DRAWINGS FOR COMPONENT DETAILS.
 - FOR PACKAGING AND LABELING DETAIL REFER TO LATEST REVISION OF THE MASTER BOM.

PROPRIETARY NOTICE
 THIS DESIGN AND TECHNICAL INFORMATION APPEARING ON THIS DRAWING IS THE PROPERTY OF BRIGADE ELECTRONICS, AND IS DISCLOSED IN CONFIDENCE. IT IS NOT TO BE COPIED, REPRODUCED, REVEALED TO OR EXPROPRIATED BY OTHERS, EITHER IN WHOLE OR IN PART WITHOUT THE EXPRESS WRITTEN CONSENT OF BRIGADE ELECTRONICS.

BRIGADE
 www.brigade-electronics.com

Assembly Pl Approval W. Wu	Approved by S. LAVER	Checked by S. GOVENDER	Drawn by L. CHEUNG
Angle of Projection 	Units mm	Scale N/A	Released 3/2/22
Status RELEASED	VBV-31XXC SERIES		
Part No SEE TABLE	BE-004681-00-22		